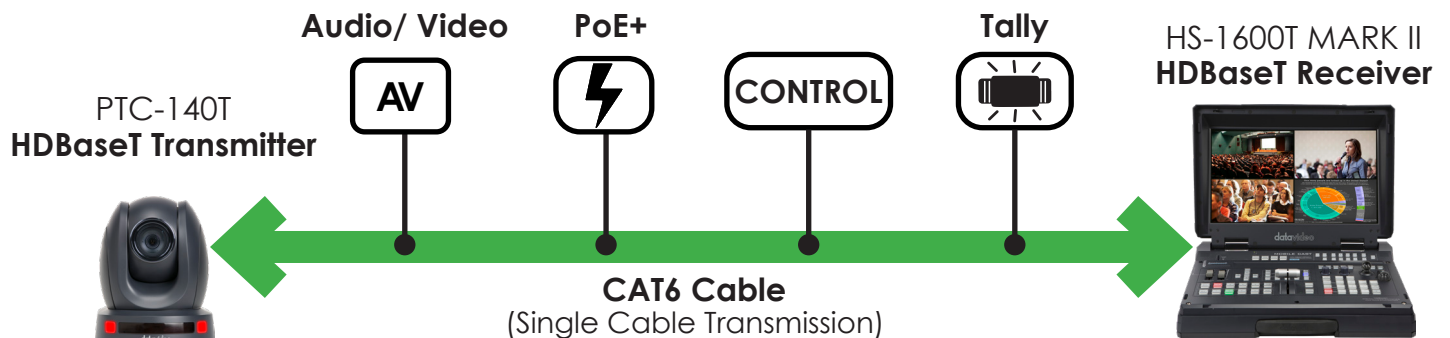


## A Guide to HDBaseT Live Video Solutions



HDBaseT is a point-to-point, industry standard for the transmission of HD or 4K/60p video over standard CAT6 with PoE and device control.

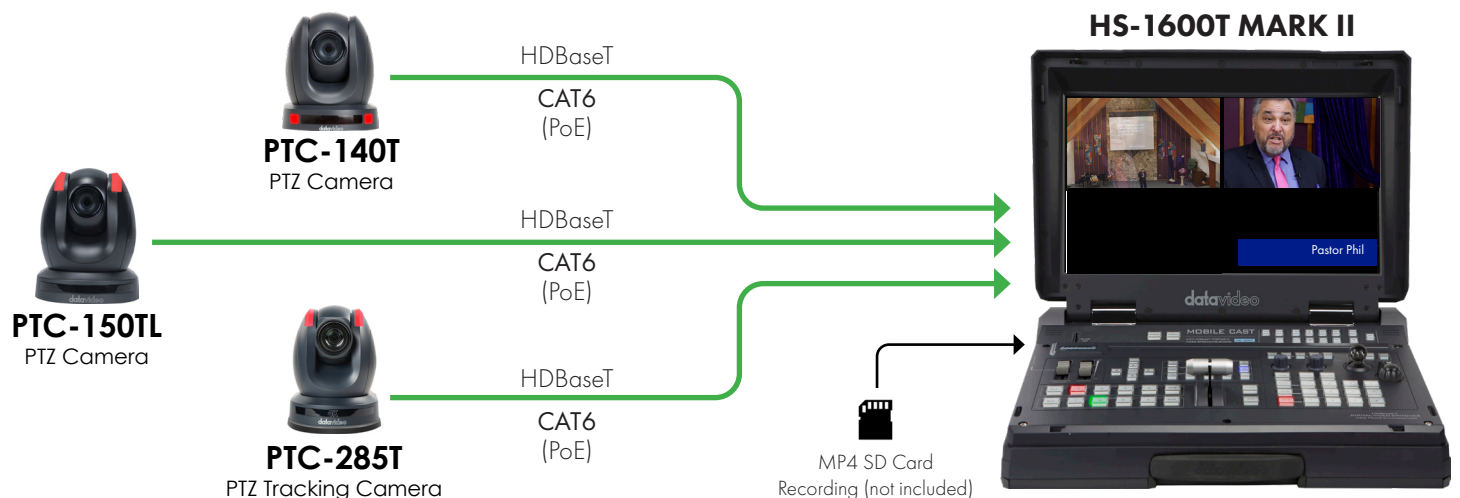
For HDBaseT to work properly, you need a transmitter on the video side (usually a camera) and a receiver on the other end to display the video.



**Datavideo has 3 complete HDBaseT video workflows to make production easier to manage – without the need of a local network:**

## A Single Operator HDBaseT Switcher with Built-In Camera Control

The HS-1600T MARK II is an 4-channel HDBaseT video switcher with streaming, recording, and camera control in an all-in-one portable design. It supports 3 PTZ cameras with power, video signal, and control over a single CAT6 cable.



# 4K60p at 100 Meters

## 3-Channel HDBaseT Receiver

The HBT-30 supplies power, video signal, and camera control up to three devices. It also powers an HBT-15 transmitter box which can power a PTC-280 4K/60p PTZ Camera.



HBT-30 Front

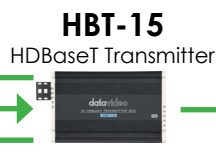


HBT-30 Rear

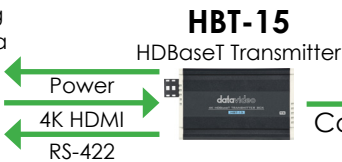
### How it Works

1. First, mount the camera to a truss or wall.
2. Then, connect the PTC-280 4K camera to the HBT-15.
3. Next, connect the HBT-15 to the HBT-30 using a Cat6 cable up to 100M/328 FT.
4. Lastly, connect Showcast 100 switcher to the HBT-30.

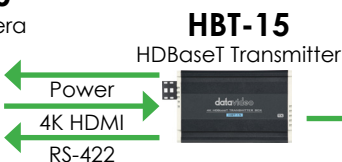
**PTC-300**  
4K PTZ Camera



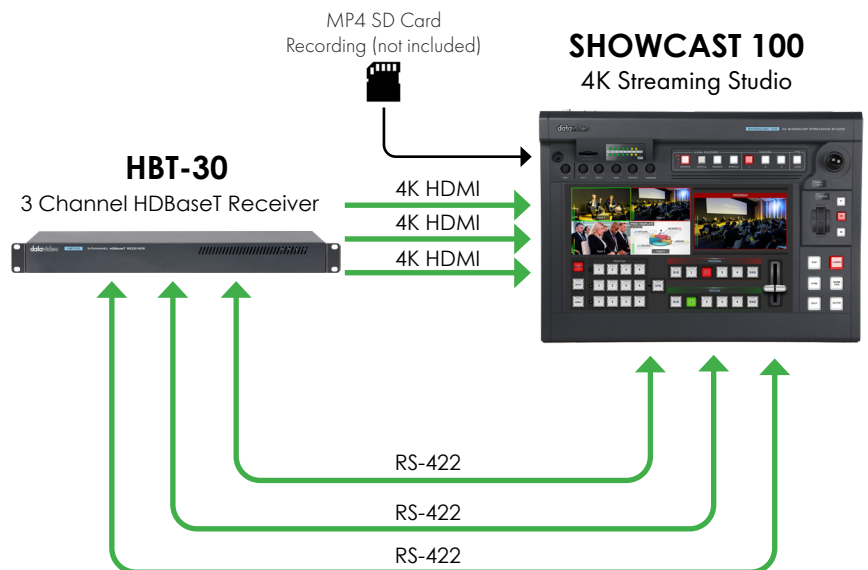
**PTC-305**  
4K Tracking  
PTZ Camera



**PTC-300**  
4K PTZ Camera



## 4K HDBaseT 3-Camera Workflow



# 4-Channel HD-SDI Outputs

## 4-Channel HDBaseT Receiver

The HBT-50 supplies power, video signal, and camera control up to 4 devices up to 100 meters distance. It simultaneously outputs HDMI, SDI, RS-422 and IP control signals.



HBT-50 Front



HBT-50 Back

### How it Works

1. First, mount the camera to a truss or wall.
2. Then, connect the four PTC-140T cameras to the HBT-50.
3. Next, connect the HBT-50 to the SE-3200 using a Cat6 cable up to 100M/328 FT.
4. Lastly, connect short SDI cables to the SE-3200 switcher and RMC-300A controller to the HBT-50.

**PTC-140T**  
PTZ Camera



**PTC-140T**  
PTZ Camera



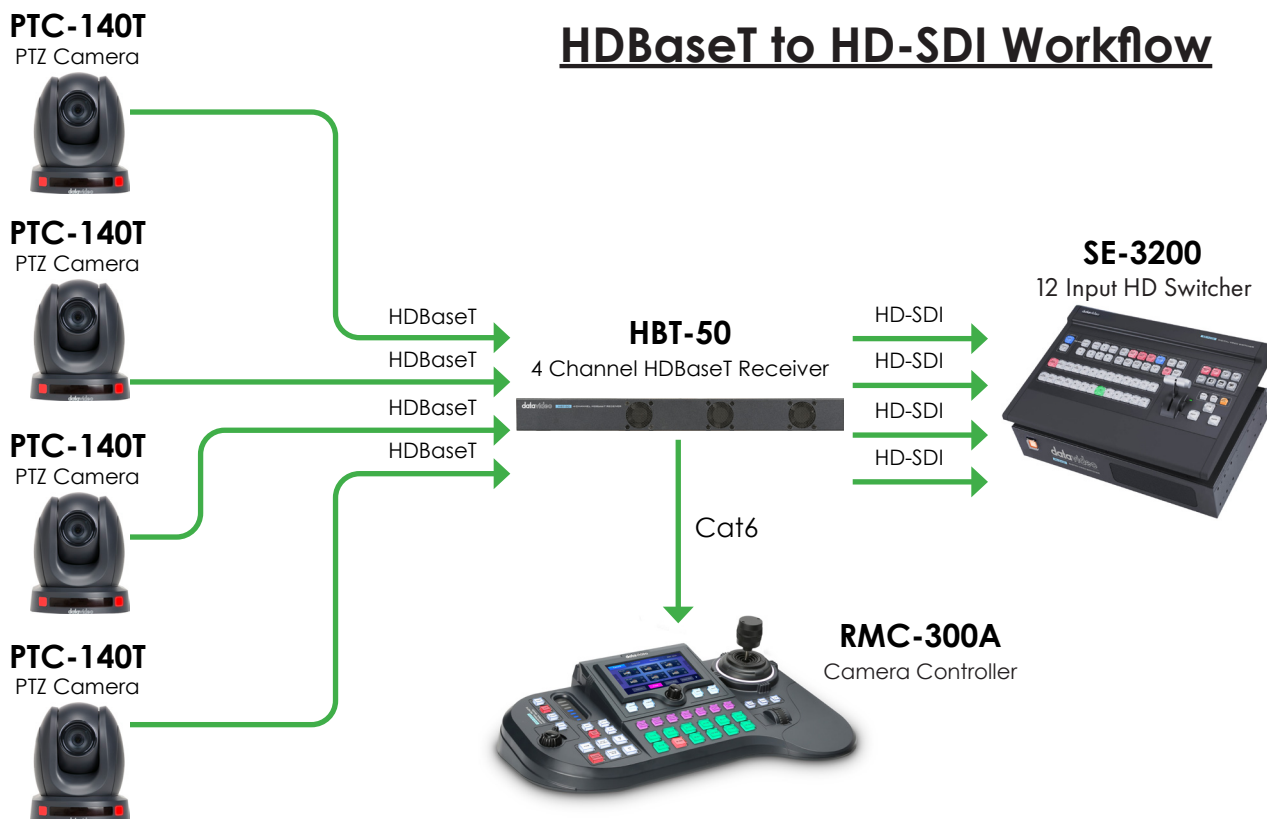
**PTC-140T**  
PTZ Camera



**PTC-140T**  
PTZ Camera



## HDBaseT to HD-SDI Workflow



# Datavideo HDBaseT Transmitters



Model	HBT-5	HBT-15	PTC-150TL	PTC-140T	PTC-285T	PTC-305T	PTR-10T
Max Resolution	4K30p	4K60p	1080p59.94	1080p60	4K60p60	4K60p60	4K30p
Transmission Distance	60m	100m	100m	100m	100m	100m	100m
Volts	48v	56v	48v	48v	48v	48v	56v
Compatible Datavideo Receivers	HBT-6	HBT-16	ALL EXCEPT HBT-6	ALL	HBT-6 HBT-11 HBT-12 HBT-30 HS-1600T MK II	HBT-6 HBT-11 HBT-12 HBT-30 HS-1600T MK II	HBT-11 HBT-12*
Control	RS-422 RS-232	DVIP RS-422 RS-232	DVIP RS-422	DVIP RS-232	DVIP RS-232	DVIP RS-232	DVIP RS-422
MSRP	\$259	\$649	\$2,499	\$1,299	\$2,849	\$3,199	\$2,699

# Datavideo HDBaseT Receivers



Model	HBT-6	HBT-11	HBT-12	HBT-16	HBT-30	HBT-50	HS-1600T MARK II
Max Resolution	4K30p	4K30p	4K30p	4K60p	4K60p	4K30p HDMI 1080p60 HD-SDI	1080p60
Volts	48v	48v	56v	56v	56v	100~240 VAC	56v
Transmission Distance	1080p 60m 4K30p 35m	1080p 100m	4K 100m	4K 100m	4K 100m	1080p 100m	1080p 100m
Compatible Datavideo Transmitters	HBT-5, PTC-140T	all except HBT-5, PTR-10T	HBT-5, PTC-140T, PTR-10T MKII, PTC-285T, PTC-305T	HBT-15	HBT-15	HBT-15, HBT-11, HBT-5, PTC-140T, PTC-150TL	PTC-140T, PTC-150TL, HBT-5, HBT-15, PTR-10T
Channels	1	1	1	1	3	4	3
SDI & HDMI Output Simultaneously	NO	NO	NO	NO	NO	YES	NO
Datavideo Camera Controllers	ALL	ALL	ALL	ALL	ALL	ALL	BUILT IN CONTROLLER
Control	RS-422 RS-232	DVIP RS-422 RS-232	DVIP RS-422 RS-232	DVIP RS-422 RS-232	DVIP RS-422 RS-232	DVIP RS-422 RS-232	RS-422
MSRP	\$319	\$449	\$549	\$699	\$2,199	\$2,749	\$5,599